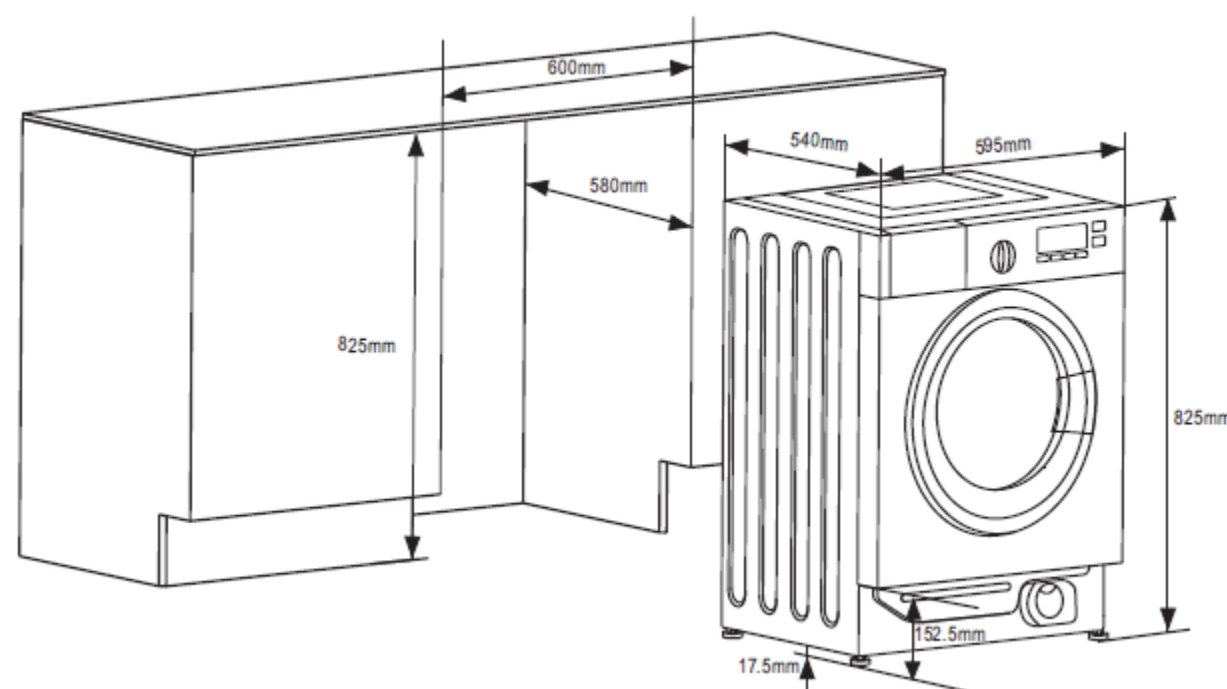


# Product Data Sheet



Prima Code	PRLD371
Description	Washing Machine
Nominal Size	60cm
EAN Code	5054913519208
Colour	White
Full load capacity: Wash & Spin	7kg
Maximum spin speed	1400rpm
Programmes (16)	Cotton intensive
	Cotton 60°C
	Cotton 40°C
	Cotton 20°C
	Quick Wash (15 minutes)
	Eco
	Rinse & spin
	Spin only
	Drain only
	Wool
	Delicates
	Mix
	Synthetic
	Sportswear
	Baby Care
	"My Cycle" (recorded favourite settings)
Features	0-24 Hour delay
	Pre-wash function
	Extra-rinse function
	Quiet mode
	Bubble removal function
	LED display
	Start/Pause Button
	Speed regulation button
	Temperature regulation button
	Adjustable legs
	Child lock

Connection cable	1.5 metres
Plug	Supplied with moulded 13A UK plug
Max noise level: Wash	57dBA
Max noise level: Spin	72dBA
Max noise level: Dry	n/a
Energy Class	A
Energy consumption per annum	124kwh
Energy consumption per cycle (full load at 60°C)	0.44kwh
Water consumption per annum	10,000 Litres
Water consumption per cycle (full load at 60°C)	Max load: 45 litres
Rated power	2000W
Electrical Voltage	220-240V
Frequency	50Hz
Fuse rating	10A
Appliance door fitting	Reversible
Furniture door fitting	Reversible
Product Height (mm)	825
Product Width (mm)	595
Product Depth (mm)	540
Net Weight	63kg
Cavity Height (mm)	825
Cavity Width (mm)	600
Cavity Depth (mm)	580
Guarantee	5 year parts & 2 year labour